

4

3

2

1

D

D

C

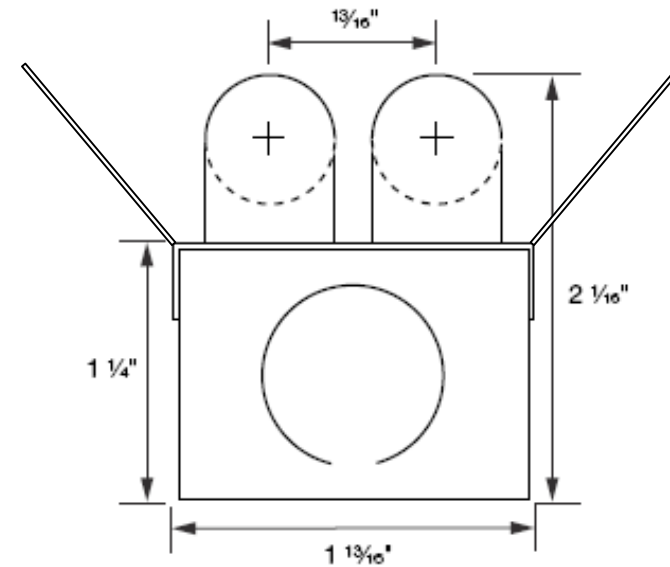
C

B

B

A

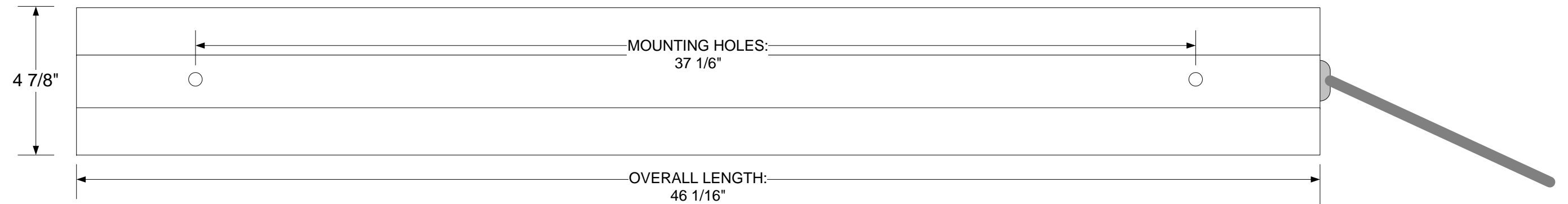
A



Notes

- 1. Bulb Diameter:
Use T5 (5/8") diameter bulbs, larger diameter bulbs (i.e. T8 or T12) will not fit in this low profile fixture.
- 2. Dimming Compatibility:
EcoZone dimmable fluorescent fixtures require no additional/special wiring, and connect directly to the EcoZone Vivarium controller AC line outputs. These fixtures can also be dimmed using standard wall-type dimmers, rheostats, etc.

INSIDE VIEW OVERALL DIMENSIONS AND MOUNTING HOLES



EZ-DF-T5-2-48

T5 48" Low Profile Double Lamp 5% Dimmable fluorescent fixture w/ integral ballast, 10' AC power cord, and symmetrical reflector – HIGH OUTPUT

Overall Length:	46 1/16"
Bulb Spec (2 per, not included):	45.2" T5 HO Bulb, 54W (F54T5HO)
AC Input (for full illumination):	120 VAC 60 Hz
Dimming Range:	5% - 100%
Dimming Method:	EcoZone Compatible, Powerline Dimmer

EcoZone Technologies				
CUSTOMER SPEC DRAWING DIMMABLE FLUORESCENT FIXTURES w/ INT BALLAST & 10' CORD				
SIZE	FSCM NO	DWG NO	REV	
A		EZ-DF-T5-CUSTOMERSPEC	1.1	
SCALE	None	SHEET	1 OF 1	

4

3

2

1